

ITEM NO.	PART NUMBER	DESCRIPTION	QTY.	SPARE PARTS	SERVICE PARTS
1	TTC027BA002	BODY	1	X	
2	TTC027NS003	PISTON HEAD	1		
3	TTC027NS002	PISTON	1		
4	BSC016LB002	BEARING	1		
5	TTC027EA001	SWIVEL CONNECTOR GLAND	1		
6	TTC027SA001	END SWIVEL GLAND	1		
7	TTA045SA002	SWIVEL CONNECTOR ASSEMBLY	1		
8	TTC045SA003	SWIVEL CONNECTOR CAP	2		
9	TTC027MS001	THRUST PAD	2		
10	TTC027JS001	LOCKING PIN	1		
11	SEC025MF001	ROTARY SEAL - O.D. 25.01 mm , I.D. 21.87 mm , H. 2.4 mm HPU-R95	6		✓
12	BPC003TS001	PLUG	1		
13	SEC021RA001	O-RING - I.D. 18.10 mm , C.S 1.60 mm NITRILE 70	1		✓
14	SEC016LE001	ROD LIP SEAL - O.D. 20 mm , I.D. 15.8 mm , H. 3 mm POLYURETHANE 90 SHORE	1		✓
15	SEC028RA001	O-RING - I.D. 23.47 mm , C.S. 2.62 mm, NITRILE 70	1		✓
16	SEC028BA001	BACKUP RING - O.D. 28.58 mm , I.D. 23.80 mm , H. 1.37 mm PTFE	1		✓
17	BLC005HD012	M5 x 12 HEX SOCKET CAP HEAD SCREW	6		
18	PCC003RC002	SPIRAL PIN O.D. 3 mm X 16 mm	1		✓
19	SEC029GA001	PISTON SEAL - O.D. 28.58 mm , I.D. 22.23 mm , H. 4.70 mm NITRILE/NYLON 70 SHORE	1		✓
20	BLC005HF010	SOCKET CSK SCREW M5 x 10	1		
21	BLC005HF008	SOCKET CSK SCREW M5 x 8	1		
22	FAS005ME006	SOCKET CUP PT SCREW M5 x 6	4		
23	FAS005ME010	SOCKET CUP PT SCREW M5 x 10	1		
24	SEC006RA001	O-RING - I.D. 2.90 mm , C.S. 1.78 mm NITRILE 70	1		✓
25	FAS004MY012	SPRING PLUNGER	1		

REVISION

1	
2	3905
3	3992
4	5973
5	6211
6	
7	
8	
9	
10	
11	
12	
13	
14	
15	
16	
17	
18	
19	
20	

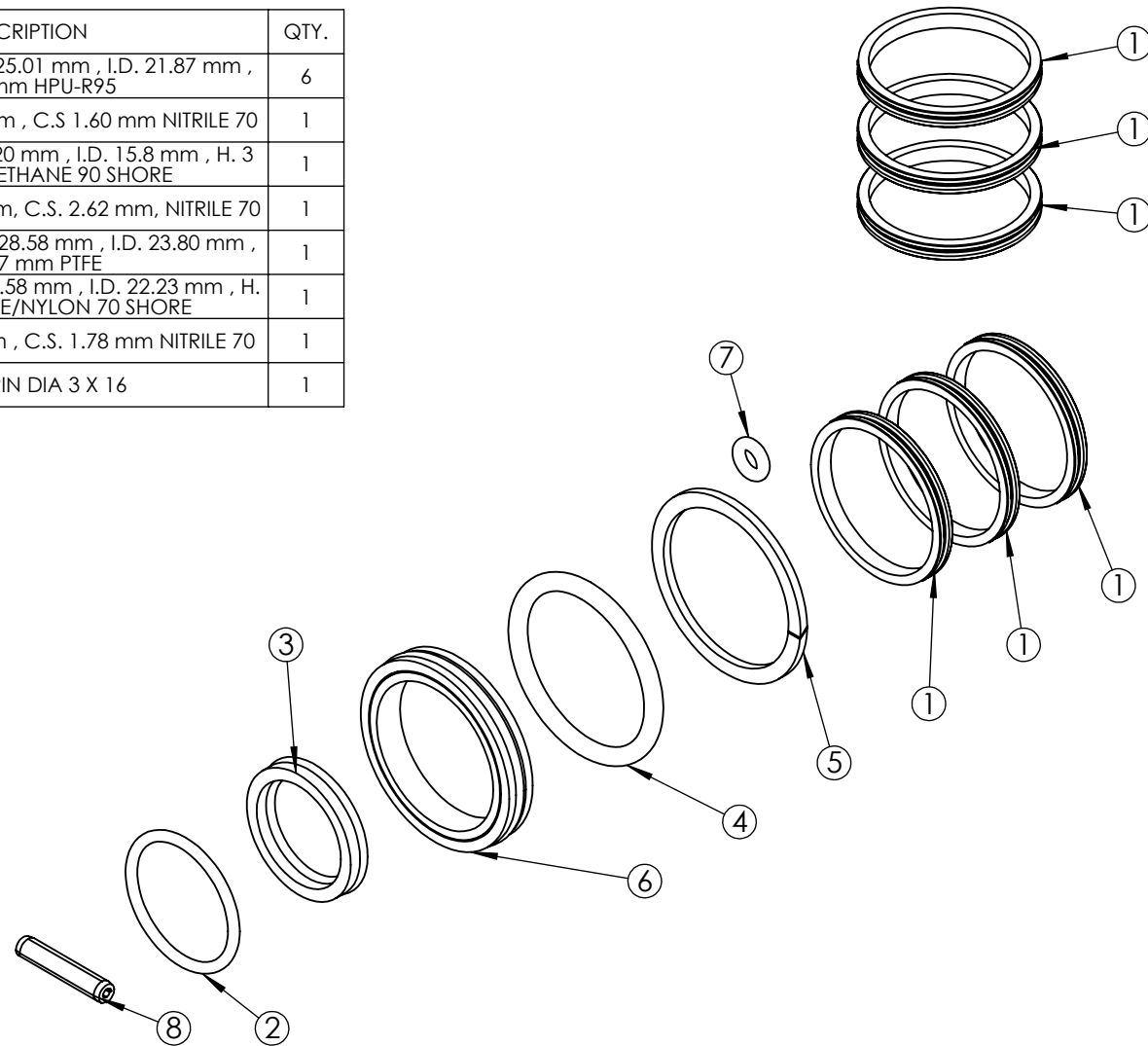
NOTE:

- ALL PARTS ARE AVAILABLE TO BE ORDERED AS SPARE PARTS (UNLESS MARKED WITH X).
- ONLY PARTS MARKED ✓ ARE AVAILABLE AS BOTH SPARE PARTS OR SERVICEABLE PARTS FROM TWH27NTP3-K
- FOR SUB ASSEMBLIES (ITEM NO.S 7) REFER TO THEIR INDIVIDUAL EVD'S.

IMPORTANT

WHEN ORDERING SPARES YOU MUST STATE THE FULL PART NUMBER AND THE PRODUCT SERIAL NUMBER - FROM THE LABEL TO PROTECT YOUR WARRANTY ALWAYS USE GENUINE HI-FORCE PARTS.

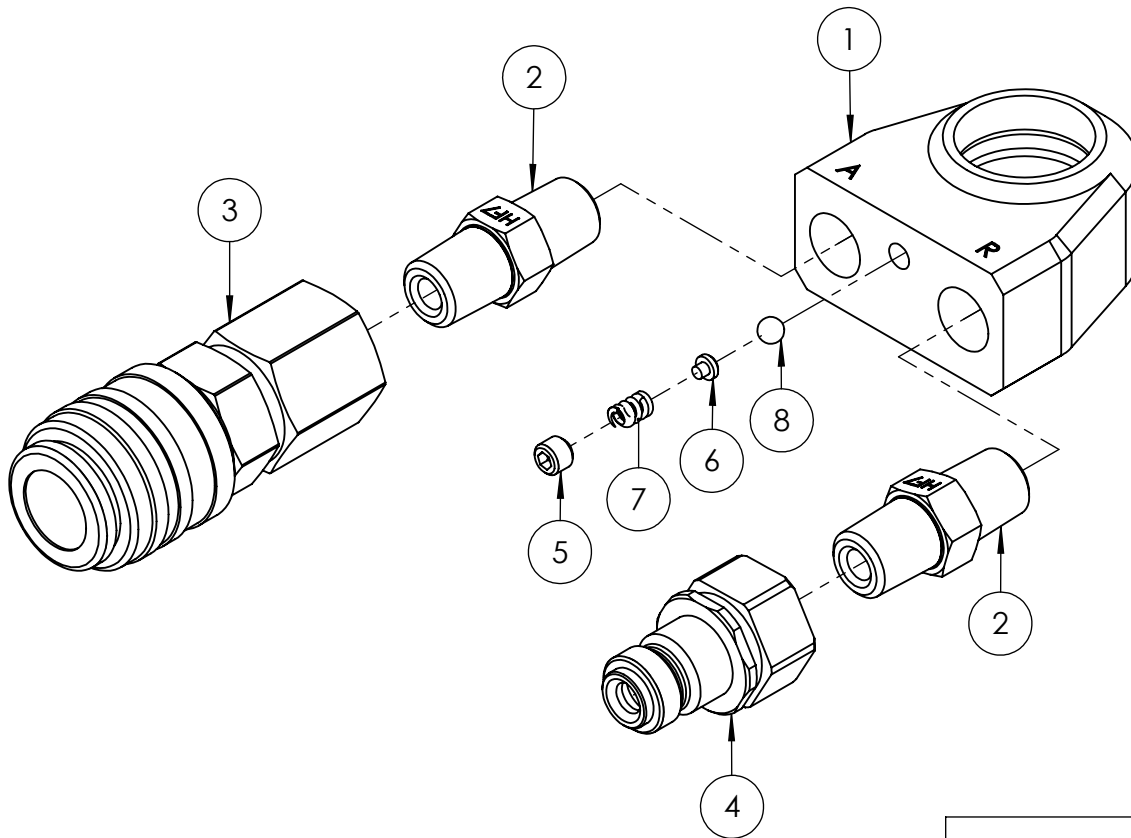
ITEM NO.	PART NUMBER	DESCRIPTION	QTY.
1	SEC025MF001	ROTARY SEAL - O.D. 25.01 mm , I.D. 21.87 mm , H. 2.4 mm HPU-R95	6
2	SEC021RA001	O-RING - I.D. 18.10 mm , C.S 1.60 mm NITRILE 70	1
3	SEC016LE001	ROD LIP SEAL - O.D. 20 mm , I.D. 15.8 mm , H. 3 mm POLYURETHANE 90 SHORE	1
4	SEC028RA001	O-RING - I.D. 23.47 mm , C.S. 2.62 mm, NITRILE 70	1
5	SEC028BA001	BACKUP RING - O.D. 28.58 mm , I.D. 23.80 mm , H. 1.37 mm PTFE	1
6	SEC029GA001	PISTON SEAL - O.D. 28.58 mm , I.D. 22.23 mm , H. 4.70 mm NITRILE/NYLON 70 SHORE	1
7	SEC006RA001	O-RING - I.D. 2.90 mm , C.S. 1.78 mm NITRILE 70	1
8	PCC003RC002	SPIRAL PIN DIA 3 X 16	1



IMPORTANT

WHEN ORDERING SPARES YOU MUST STATE THE FULL PART NUMBER AND THE PRODUCT SERIAL NUMBER - FROM THE LABEL TO PROTECT YOUR WARRANTY ALWAYS USE GENUINE HI-FORCE PARTS.

ITEM NO.	PART NUMBER	DESCRIPTION	QTY.	SPARE PARTS	REVISION
1	TTC045SA002	FEMALE SWIVEL CONNECTOR	1	X	1 5973
2	HF7	1/4" NPT MALE ADAPTOR	2	X	2 6186
3	CF4F	COUPLER	1		3 6265
4	CM4F	COUPLER	1		4
5	FAS006MA005	SKT FLAT POINT SCREW M6 x 5 (LOCKING)	1	X	5
6	VRA280GB001	SPRING SEAT	1	X	6
7	SPC005CA008	COMPRESSION SPRING	1	X	7
8	BAC005SN001	3/16" BALL CHROME STEEL	1	X	8
					9
					10
					11
					12
					13
					14
					15
					16
					17
					18
					19
					20



NOTE:

- ALL PARTS AVAILABLE TO ORDER AS AN INDIVIDUAL SPARE PART UNLESS MARKED X.

IMPORTANT

WHEN ORDERING SPARES YOU MUST STATE THE FULL PART NUMBER AND THE PRODUCT SERIAL NUMBER - FROM THE LABEL TO PROTECT YOUR WARRANTY ALWAYS USE GENUINE HI-FORCE PARTS.