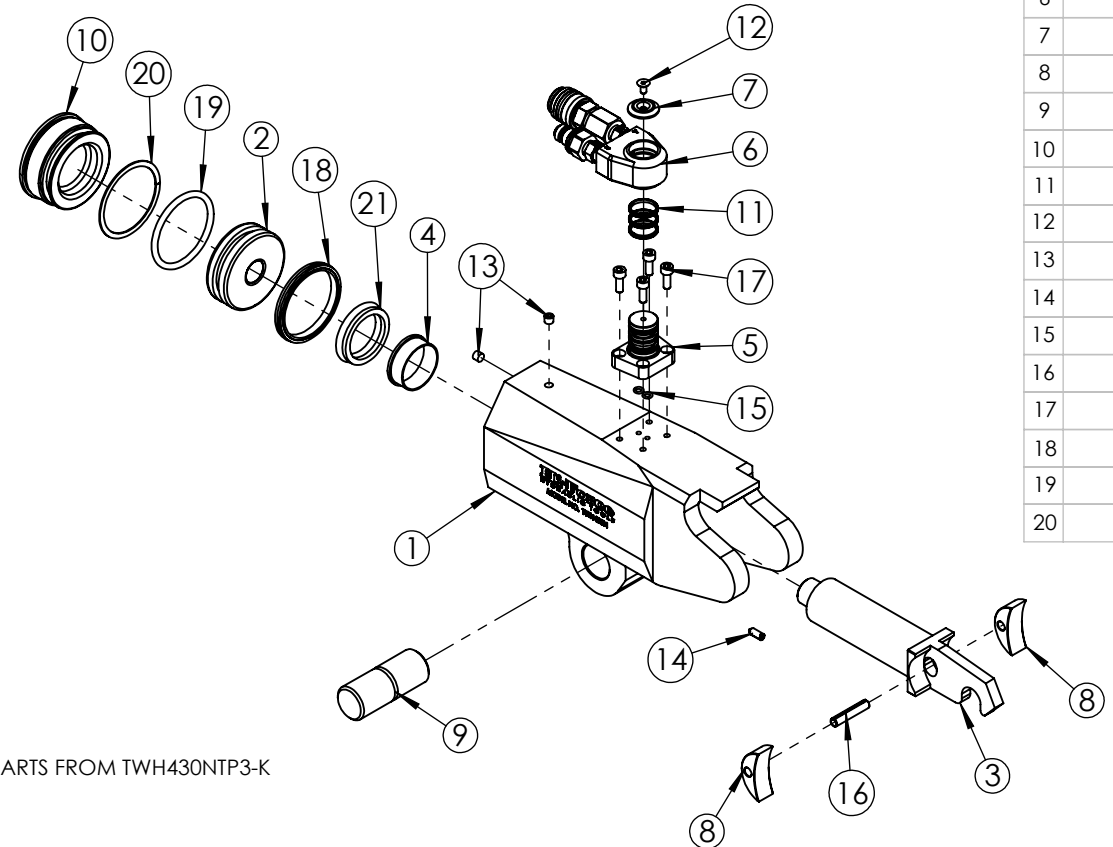


ITEM NO.	PART NUMBER	DESCRIPTION	QTY.	SPARE PARTS	SERVICE PARTS
1	TTC430BA001	BODY	1	X	
2	TTC430NS002	PISTON HEAD	1		
3	TTC430NS001	PISTON	1		
4	TTC430FS001	BEARING	1		
5	TTC100SA001	MALE SWIVEL CONNECTOR	1		
6	TTA045SA002	SWIVEL CONNECTOR ASSEMBLY	1		
7	TTC045SA003	SWIVEL CONNECTOR CAP	1		
8	TTC430MS001	THRUST PAD	2		
9	TTC430JS001	LOCKING PIN	1		
10	TTC430UA001	END PLUG	1		
11	SEC025MF001	ROTARY SEAL - O.D. 25.01 mm , I.D. 21.87 mm , H. 2.4 mm HPU-R95	3		✓
12	BLC005HF010	SOCKET CSK SCREW M5 x 10	1		
13	FPC002PN001	1/16" x 7/8" NPT SOCKET PLUG	2		
14	FAS006MY012	SPRING PLUNGER	1		
15	SEC009RA003	O-RING - I.D. 5.28 mm , C.S. 1.78 mm NITRILE 70	2		✓
16	PCC008RE001	SLOTTED SPRING PIN O.D. 8 mm X 40 mm	1		✓
17	BLC006JD016	M6 x 16 HEX SOCKET CAP HEAD SCREW	4		
18	SEC073GA001	PISTON SEAL - O.D. 73.03 mm , I.D. 63.50 mm , H. 7.11 mm NITRILE/NYLON 70 SHORE	1		✓
19	SEC073RA001	O-RING - I.D. 62.87 mm , C.S. 5.34 mm NITRILE 70 SHORE	1		✓
20	SEC073BA001	BACKUP RING - O.D. 73.00 mm , I.D. 63.47 mm , H. 1.00 mm PTFE	1		✓
21	SEC041LE001	LIP SEAL - O.D. 56.50 mm , I.D. 41.00 mm , H. 10.00 mm POLYURETHANE 90 SHORE	1		✓

NOTE:

- ALL PARTS AVAILABLE TO BE ORDERED AS SPARE PARTS (UNLESS MARKED WITH X).
- ONLY PARTS MARKED WITH ✓ ARE AVAILABLE AS BOTH SPARE PARTS OR SERVICEABLE PARTS FROM TWH430NTP3-K
- FOR SUB ASSEMBLIES (ITEM NO.S 6) REFER TO THEIR INDIVIDUAL EVD'S.



REVISION

1	
2	3905
3	6211
4	
5	
6	
7	
8	
9	
10	
11	
12	
13	
14	
15	
16	
17	
18	
19	
20	

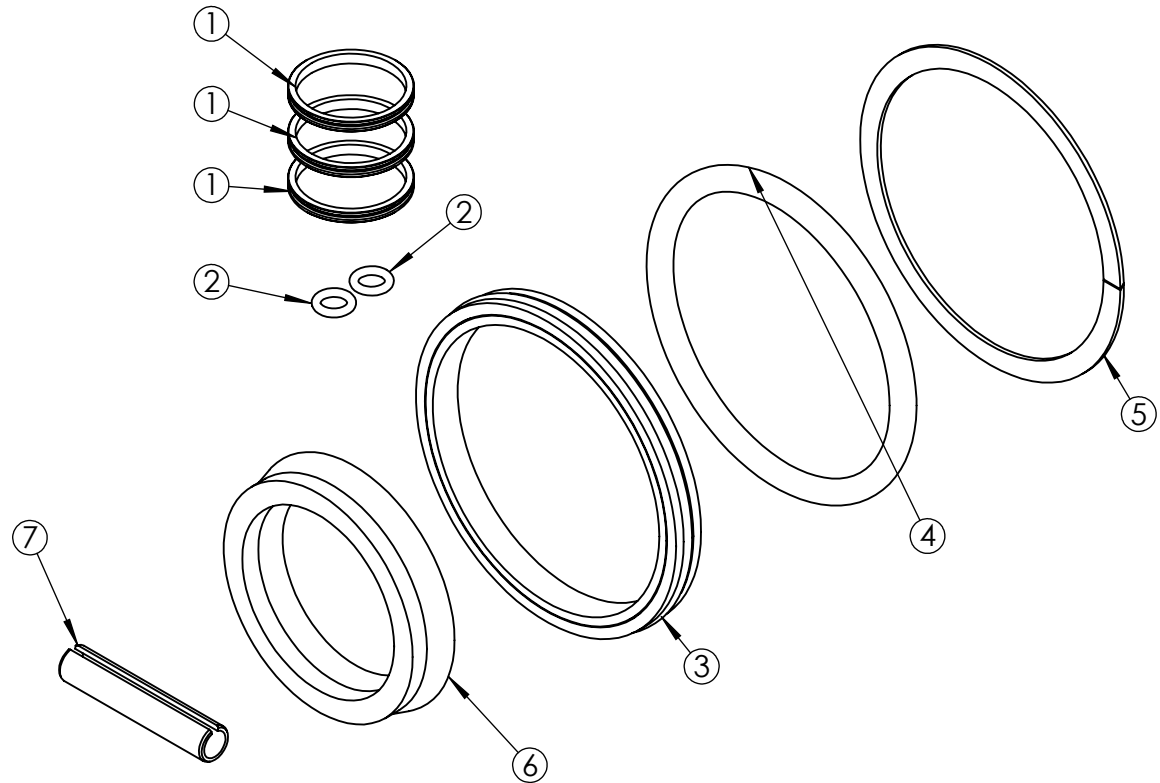
**IMPORTANT**

WHEN ORDERING SPARES YOU MUST STATE THE FULL PART NUMBER AND THE PRODUCT SERIAL NUMBER - FROM THE LABEL TO PROTECT YOUR WARRANTY ALWAYS USE GENUINE HI-FORCE PARTS.

ITEM NO.	PART NUMBER	DESCRIPTION	QTY.
1	SEC025MF001	ROTARY SEAL - O.D. 25.01 mm , I.D. 21.87 mm , H. 2.4 mm HPU-R95	3
2	SEC009RA003	O-RING - I.D. 5.28 mm , C.S. 1.78 mm NITRILE 70	2
3	SEC073GA001	PISTON SEAL - O.D. 73.03 mm , I.D. 63.50 mm , H. 7.11 mm NITRILE/NYLON 70 SHORE	1
4	SEC073RA001	O-RING - I.D. 62.87 mm , C.S. 5.34 mm NITRILE 70 SHORE	1
5	SEC073BA001	BACKUP RING - O.D. 73.00 mm , I.D. 63.47 mm , H. 1.00 mm PTFE	1
6	SEC041LE001	LIP SEAL - O.D. 56.50 mm , I.D. 41.00 mm , H. 10.00 mm POLYURETHANE 90 SHORE	1
7	PCC008RE001	SLOTTED SPRING PIN O.D. 8 mm X 40 mm	1

REVISION

1	6211
2	
3	
4	
5	
6	
7	
8	
9	
10	
11	
12	
13	
14	
15	
16	
17	
18	
19	
20	



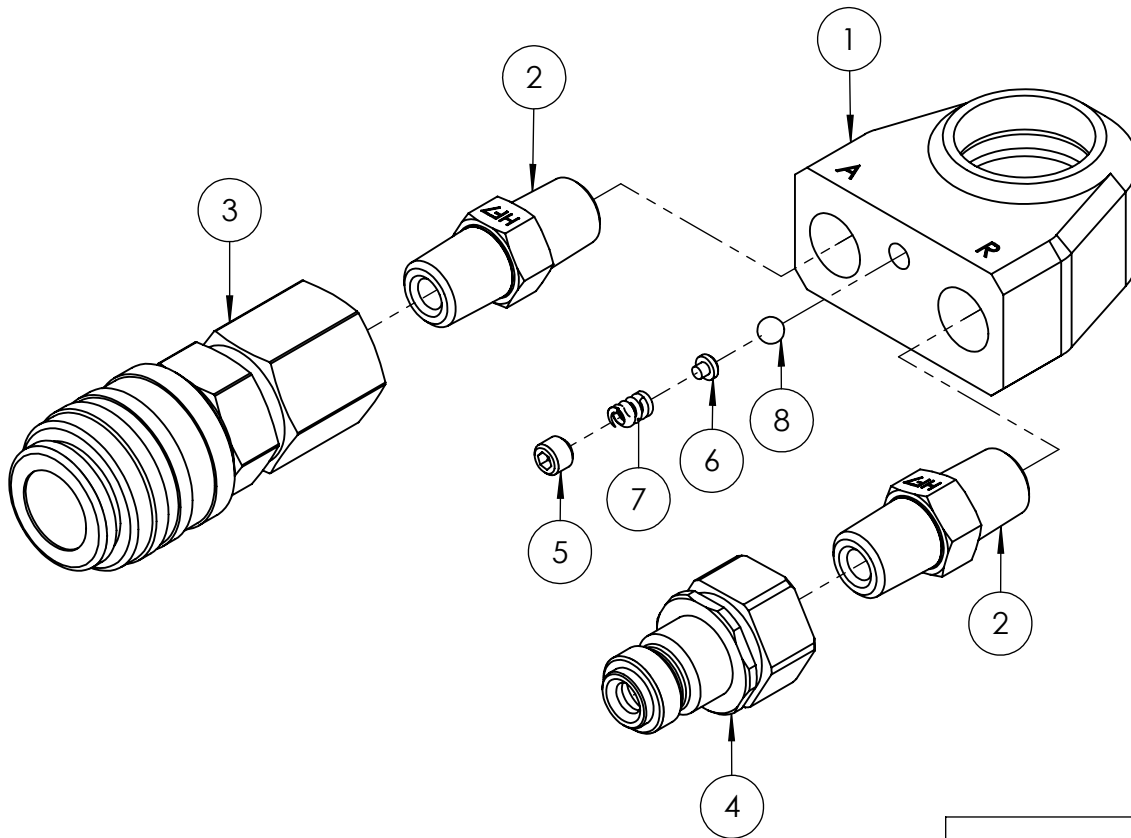
**IMPORTANT**

WHEN ORDERING SPARES YOU MUST STATE THE FULL PART NUMBER AND THE PRODUCT SERIAL NUMBER - FROM THE LABEL TO PROTECT YOUR WARRANTY ALWAYS USE GENUINE HI-FORCE PARTS.

ITEM NO.	PART NUMBER	DESCRIPTION	QTY.	SPARE PARTS	REVISION
1	TTC045SA002	FEMALE SWIVEL CONNECTOR	1	X	1 5973
2	HF7	1/4" NPT MALE ADAPTOR	2	X	2 6186
3	CF4F	COUPLER	1		3 6265
4	CM4F	COUPLER	1		4
5	FAS006MA005	SKT FLAT POINT SCREW M6 x 5 (LOCKING)	1	X	5
6	VRA280GB001	SPRING SEAT	1	X	6
7	SPC005CA008	COMPRESSION SPRING	1	X	7
8	BAC005SN001	3/16" BALL CHROME STEEL	1	X	8
					9
					10
					11
					12
					13
					14
					15
					16
					17
					18
					19
					20

**NOTE:**

- ALL PARTS AVAILABLE TO ORDER AS AN INDIVIDUAL SPARE PART UNLESS MARKED X.



**IMPORTANT**  
WHEN ORDERING SPARES YOU MUST STATE THE FULL PART NUMBER AND THE PRODUCT SERIAL NUMBER - FROM THE LABEL TO PROTECT YOUR WARRANTY ALWAYS USE GENUINE HI-FORCE PARTS.