

REVISION NO

1	4345
2	
3	
4	
5	
6	
7	
8	
9	
10	
11	
12	
13	
14	
15	
16	
17	
18	
19	
20	

IMPORTANT

WHEN ORDERING SPARES YOU MUST STATE THE FULL PART NUMBER AND THE PRODUCT SERIAL NUMBER – FROM THE LABEL. TO PROTECT YOUR WARRANTY ALWAYS USE GENUINE HI-FORCE PARTS.

Item No	Part No:	Qty:	Description
1	12009.000	1	Pneumatic Drive Unit
2.1	32072.010	1	Gearbox Housing HD Unit
2.1.2	9DU02530	1	Slide Bearing
2.2	12090.010	1	Gearbox Housing for Distance Washer
2.3	12082.000	1	Lower Gear Cage Unit
2.3.1	12082.010	1	Lower Gear Cage
2.3.1.2	9DU0806	1	Slide Bearing
2.3.2	12078.010	3	Lower Axle
2.3.3	12080.010	3	Lower Planetary Wheel Z14 Unit
2.3.3.2	9DU00812	2	Slide Bearing
2.4	12072.010	1	Drive Pinion Z17
2.5	12047.011	1	Planetary Carrier Z11
2.6	12046.011	1	Planetary Carrier Z8
2.7	12056.011	3	Planetary Carrier Z17
2.8	12058.011	6	Planetary Carrier Z18
2.9	9NK00001	9	Needle Cage
2.10	90988003	9	Shim Ring
2.11	90471007	1	Locking Ring
2.12	9K000005	1	Steel Ball

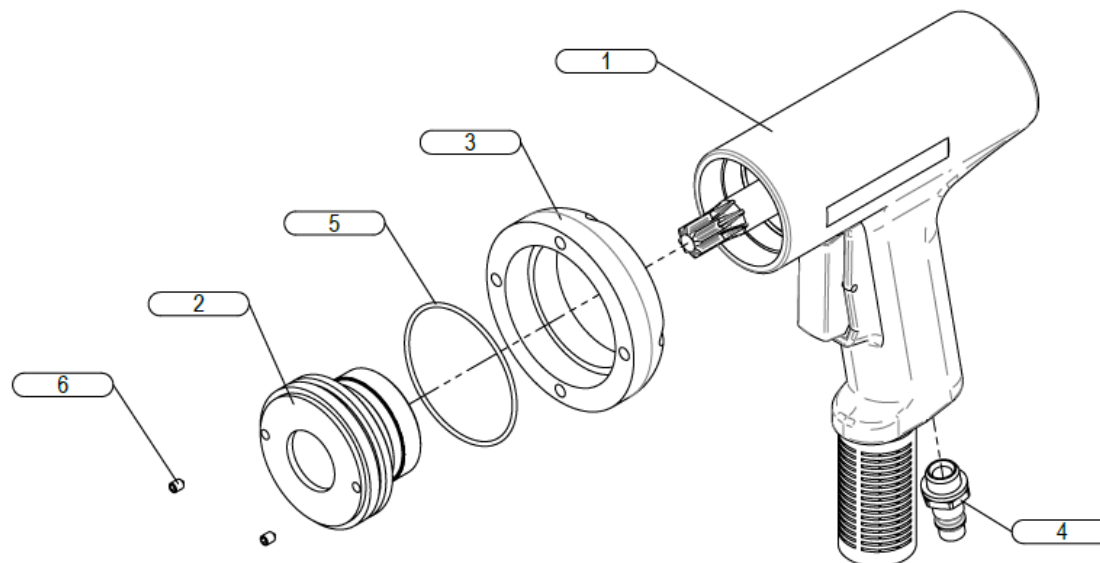
WWW.HI-FORCE.COM**IMPORTANT**

WHEN ORDERING SPARES YOU MUST STATE THE FULL PART NUMBER AND THE PRODUCT SERIAL NUMBER – FROM THE LABEL.
TO PROTECT YOUR WARRANTY ALWAYS USE GENUINE HI-FORCE PARTS.

2.13	90912003	6	Cylinder Head Screw
2.14	90914006	4	Set Screw
2.15	91481013	2	Dowel Pin
2.16	90988012	1	Shim Ring
2.17	17928.010	1	Washer
3	90912011	4	Cylinder Head Screw
4	96797009	4	Toothed Washer

IMPORTANT

WHEN ORDERING SPARES YOU MUST STATE THE FULL PART NUMBER AND THE PRODUCT SERIAL NUMBER – FROM THE LABEL.
TO PROTECT YOUR WARRANTY ALWAYS USE GENUINE HI-FORCE PARTS.

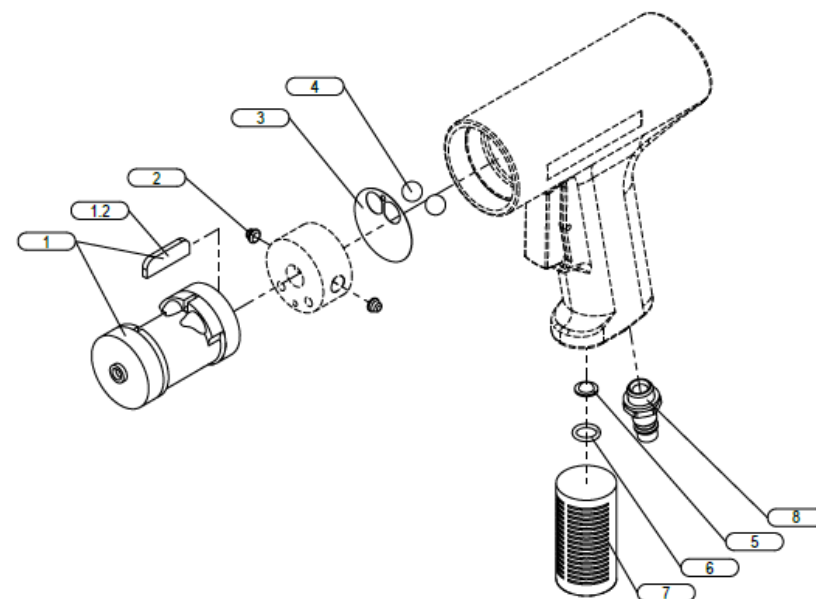


REVISION NO	
1	4345
2	
3	
4	
5	
6	
7	
8	
9	
10	
11	
12	
13	
14	
15	
16	
17	
18	
19	
20	

Item No	Part No:	Qty:	Description
1	12009.000	1	Pneumatic Drive Unit
2	12007.010	1	Motor Flange
3	12013.011	1	Motor Swivel
4	12004.010	1	Air Nipple
5	9OR00038	1	O' Ring
6	90914003	1	Set Screw

IMPORTANT

WHEN ORDERING SPARES YOU MUST STATE THE FULL PART NUMBER AND THE PRODUCT SERIAL NUMBER – FROM THE LABEL.
TO PROTECT YOUR WARRANTY ALWAYS USE GENUINE HI-FORCE PARTS.



Item No	Part No:	Qty:	Description
1	9KT00273	1	Motor Assembly Unit
1.2	12026.010	5	Lamella Set
2	9KT12029	2	Valve cone
3	9KT00091	1	Disc Plate
4	12030.010	2	Control Ball
5	9KT00168	1	Screen
6	9OR00008	1	O' Ring
7	9KT00272	1	Silencer
8	12004.010	1	Air supply Nipple

IMPORTANT

WHEN ORDERING SPARES YOU MUST STATE THE FULL PART NUMBER AND THE PRODUCT SERIAL NUMBER – FROM THE LABEL.
TO PROTECT YOUR WARRANTY ALWAYS USE GENUINE HI-FORCE PARTS.