

REVISION

1	
2	
3	3891
4	4691
5	6265
<b>6</b>	<b>6545</b>
7	
8	
9	
10	
11	
12	
13	
14	
15	
16	
17	
18	
19	
20	

**IMPORTANT**  
WHEN ORDERING SPARES YOU MUST STATE THE FULL PART NUMBER AND THE PRODUCT SERIAL NUMBER - FROM THE LABEL TO PROTECT YOUR WARRANTY ALWAYS USE GENUINE HI-FORCE PARTS.

TWS-N HYDRAULIC TORQUE WRENCHES - SQUARE DRIVE

SERIAL NUMBERS

FROM EB5583

PRODUCT NO.

TWS100N

SHT 2 OF  
2 SHTS

ITEM NO.	PART NUMBER	DESCRIPTION	QTY.	SPARE PARTS	SERVICE PARTS	ITEM NO.	PART NUMBER	DESCRIPTION	QTY.	SPARE PARTS	SERVICE PARTS	REVISION
1	TTC100BA001	BODY	1	X		31	SPC009CA003	SPRING	2			1
2	TTC100WS001	RATCHET WHEEL	1			32	SPC012CA003	SPRING	1			2
3	TTC100FB002	BEARING	2			33	BLC006JC012	M6 x 12 SOCKET CAP HEAD SCREW	4			3 3891
4	TTC100GB001	GLAND	1			34	FPC002PN001	1/16"NPTF x 7/8" TAPER PLUG	1			4 4691
5	TTC100ES001	END PLUG	1			35	FAS004ME008	M4 x 8 SOCKET CUP POINT SCREW	2			5 6265
6	TTC100CS001	DRIVE PLATE	1			36	BLC010LF025	M10 x 25 SOCKET COUNTERSUNK SCREW	2			6 6545
7	TTC100PS001	DRIVE SEGMENT	1			37	FAS006MB005	SOCKET CUP POINT SCREW M6 x 5	1			7
8	TTC100JS001	DRIVE PIN	1			38	BAC005SN001	3/16" BALL	1			8
9	TTC100DS001	SQUARE DRIVE	1			39	BLC005HF012	M5 x 12 HEX SOCKET COUNTERSUNK SCREW	1			9
10	TTC100LS001	SHROUD	1			40	SEC025MF001	ROTARY SEAL - O.D. 25.01 mm , I.D. 21.87 mm , H. 2.4 mm HPU-R95	3	X	✓	10
11	TTC100AA001	COVER PLUG	2			41	SEC009RA003	O-RING - I.D. 5.28 mm , C.S. 1.78 mm NITRILE 70	2	X	✓	11
12	TTA100NS001	PISTON ASSEMBLY	1									12
13	TTA100LA001	RELEASE BUTTON ASSEMBLY	1									13
14	TTC100QA002	REACTION ARM	1									14
15	TTC150AS001	PLUG	1									15
16	TTC100KS001	SPLINE SLEEVE	1									16
17	TTC100ES002	END CAP	1									17
18	TTC150JS002	LATCH PIN	1									18
19	TTC150JS003	RELEASE	1									19
20	<b>TTA000SA003</b>	SWIVEL BASE ASSEMBLY	1									20
21	TTC100FS002	SLEEVE	2									
22	TTC000SA010	SWIVEL CAP	1									
23	<b>TTA000SA001</b>	SWIVEL CONNECTOR ASSEMBLY	1									
24	BLC005HH008	M5 x 8 BUTTON HEAD SCREW	3									
25	STC055TA001	RETAINING RING	2	X	✓							
26	SEC054BE002	BACKUP RING - O.D. 53.98 mm, I.D. 47.63 mm, C.S. 1.37 mm, PTFE	1	X	✓							
27	SEC054RA004	O-RING - I.D. 47.22 mm, C.S. 3.53 mm, NITRILE 90 SHORE	1	X	✓							
28	SEC054GA001	PISTON T SEAL - O.D. 53.98 mm, I.D. 44.45 mm, H 7.11 mm, NBR/ NYLON 70 SHORE	1	X	✓							
29	SEC035LE001	LIP SEAL - O.D. 45.00 mm , I.D. 35.00 mm , H. 6.00 mm POLYURETHANE 90 SHORE	1	X	✓							
30	SEC060RE002	O-RING - I.D. 60.31 mm, C.S. 3.53 mm NITRILE 70 SHORE	1	X	✓							

**NOTE:**

- ALL PARTS ARE AVAILABLE TO BE ORDERED AS INDIVIDUAL SPARE PARTS (UNLESS MARKED WITH X).

- ALL PARTS MARKED WITH ✓ ARE ONLY AVAILABLE SERVICEABLE PARTS FOUND IN: SERVICE KIT

**TWS100NTP4-K**

- FOR SUB ASSEMBLIES (ITEM NO'S 20 & 23) REFER TO THEIR INDIVIDUAL EVD'S.

**IMPORTANT**

WHEN ORDERING SPARES YOU MUST STATE THE FULL PART NUMBER AND THE PRODUCT SERIAL NUMBER - FROM THE LABEL TO PROTECT YOUR WARRANTY ALWAYS USE GENUINE HI-FORCE PARTS.

ITEM NO.	PART NUMBER	DESCRIPTION	QTY.	SPARE PARTS
1	TTC000SA011	SWIVEL BASE	1	X
2	FAS006MA005	M6 X 5 MM FLAT POINT GRUB SCREWS (DIN 913 / ISO 4026) – STAINLESS STEEL (A4) + 180 NYLON PATCH.	1	X
3	VRA280GB001	SPRING SEAT	1	X
4	SPC005CA008	COMPRESSION SPRING	1	X
5	BAC005SN001	3/16" BALL CHROME STEEL	1	X

REVISION

1 6484

2

3

4

5

6

7

8

9

10

11

12

13

14

15

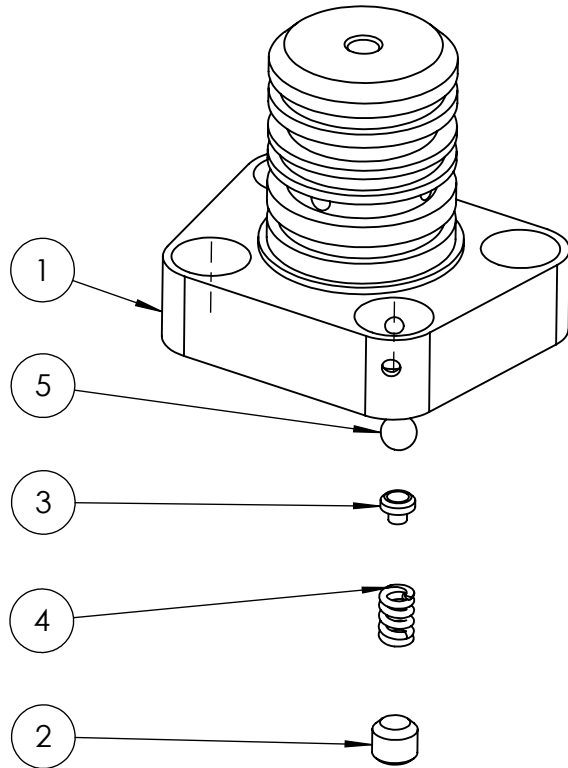
16

17

18

19

20



**NOTE:**

- ALL PARTS AVAILABLE TO ORDER AS AN INDIVIDUAL SPARE PART UNLESS MARKED X.

**IMPORTANT**

WHEN ORDERING SPARES YOU MUST STATE THE FULL PART NUMBER AND THE PRODUCT SERIAL NUMBER - FROM THE LABEL TO PROTECT YOUR WARRANTY ALWAYS USE GENUINE HI-FORCE PARTS.

**NOTE:**

- ALL PARTS AVAILABLE TO ORDER AS AN INDIVIDUAL SPARE PART UNLESS MARKED X.

- PARTS MARKED WITH A ✓ ARE **ONLY** AVAILABLE AS PART OF SERVICE KITS;

**TWS17NTP4-K**

**TWS45NTP4-K**

**TWS100NTP4-K**

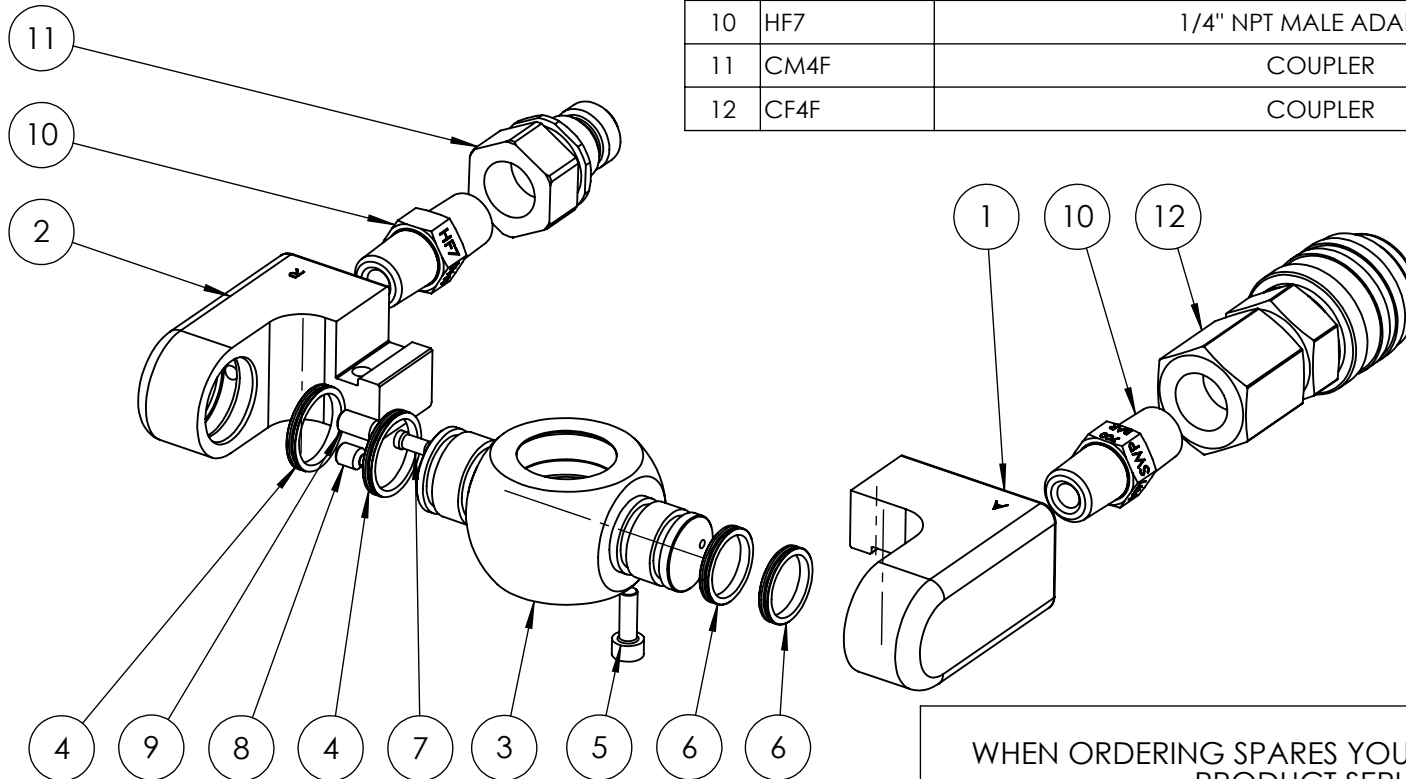
**TWS150NTP4-K**

**TWS370NTP4-K**

**TWH430NTP4-K.**

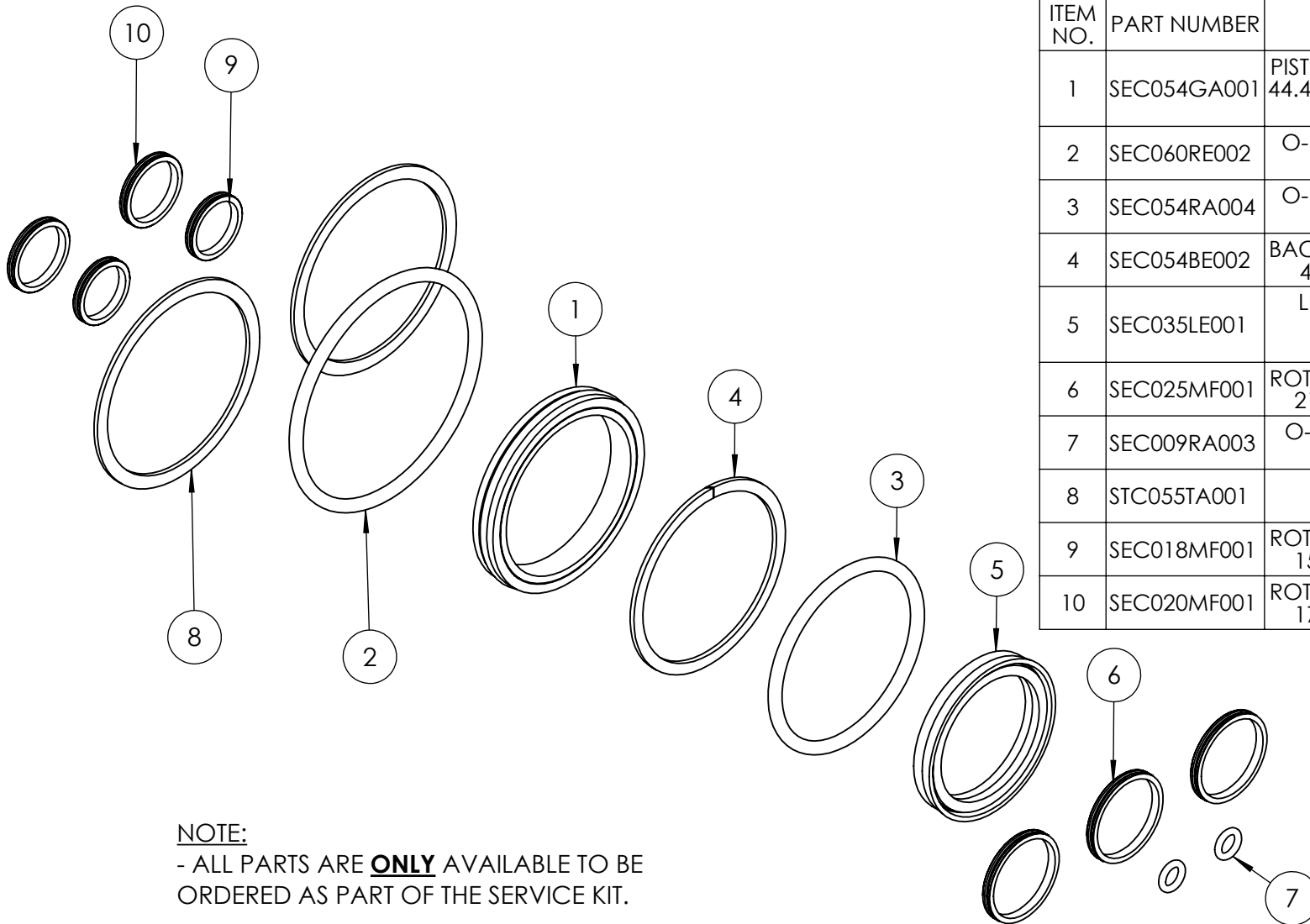
(REFER TO INDIVIDUAL TORQUE TOOL SERVICE KIT EVD'S FOR FULL PARTS LIST)

ITEM NO.	PART NUMBER	DESCRIPTION	QTY.	SPARE PARTS	SERVICE PARTS
1	TTC000SA007	ADVANCE FLAPPER	1	X	
2	TTC000SA008	RETRACT FLAPPER	1	X	
3	TTC000SA009	TRUNNION	1	X	
4	SEC020MF001	ROTARY SEAL - O.D. 20.15 mm , I.D. 17.03 mm , H. 2.4 mm HPU-R95	2	X	✓
5	BLC004JD012	SOCKET CAP HD SCREW M4 x 12	1	X	
6	SEC018MF001	ROTARY SEAL - O.D. 18.02 mm , I.D. 15.03 mm , H. 2.4 mm HPU-R95	2	X	✓
7	BPC003TS001	PLUG	1	X	
8	FAS005ME006	SOCKET CUP PT SCREW M5 x 6	1	X	
9	FAS005ME010	SOCKET CUP PT SCREW M5 x 10	1	X	
10	HF7	1/4" NPT MALE ADAPTOR	2	X	
11	CM4F	COUPLER	1		
12	CF4F	COUPLER	1		



**IMPORTANT**

WHEN ORDERING SPARES YOU MUST STATE THE FULL PART NUMBER AND THE PRODUCT SERIAL NUMBER - FROM THE LABEL TO PROTECT YOUR WARRANTY ALWAYS USE GENUINE HI-FORCE PARTS.



**NOTE:**

- ALL PARTS ARE **ONLY** AVAILABLE TO BE ORDERED AS PART OF THE SERVICE KIT.

ITEM NO.	PART NUMBER	DESCRIPTION	QTY.
1	SEC054GA001	PISTON T SEAL - O.D. 53.98 mm, I.D. 44.45 mm, H 7.11 mm, NBR/ NYLON 70 SHORE	1
2	SEC060RE002	O-RING - I.D. 60.31 mm, C.S. 3.53 mm NITRILE 70 SHORE	1
3	SEC054RA004	O-RING - I.D. 47.22 mm, C.S. 3.53 mm, NITRILE 90 SHORE	1
4	SEC054BE002	BACKUP RING - O.D. 53.98 mm, I.D. 47.63 mm, C.S. 1.37 mm, PTFE	1
5	SEC035LE001	LIP SEAL - O.D. 45.00 mm , I.D. 35.00 mm , H. 6.00 mm POLYURETHANE 90 SHORE	1
6	SEC025MF001	ROTARY SEAL - O.D. 25.01 mm , I.D. 21.87 mm , H. 2.4 mm HPU-R95	3
7	SEC009RA003	O-RING - I.D. 5.28 mm , C.S. 1.78 mm NITRILE 70	2
8	STC055TA001	RETAINING RING	2
9	SEC018MF001	ROTARY SEAL - O.D. 18.02 mm , I.D. 15.03 mm , H. 2.4 mm HPU-R95	2
10	SEC020MF001	ROTARY SEAL - O.D. 20.15 mm , I.D. 17.03 mm , H. 2.4 mm HPU-R95	2

1	6545
2	
3	
4	
5	
6	
7	
8	
9	
10	
11	
12	
13	
14	
15	
16	
17	
18	
19	
20	

**IMPORTANT**

WHEN ORDERING SPARES YOU MUST STATE THE FULL PART NUMBER AND THE PRODUCT SERIAL NUMBER - FROM THE LABEL TO PROTECT YOUR WARRANTY ALWAYS USE GENUINE HI-FORCE PARTS.